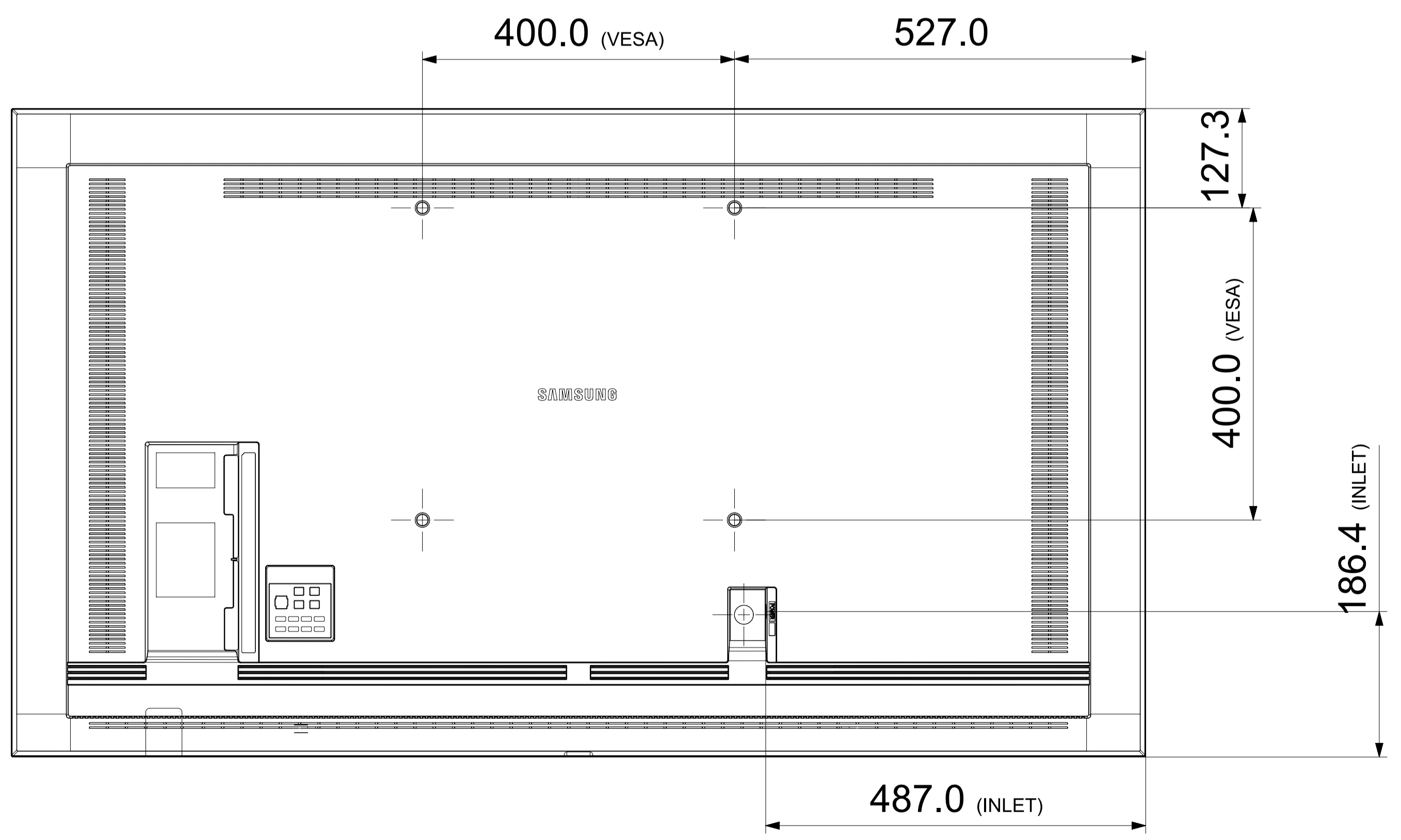
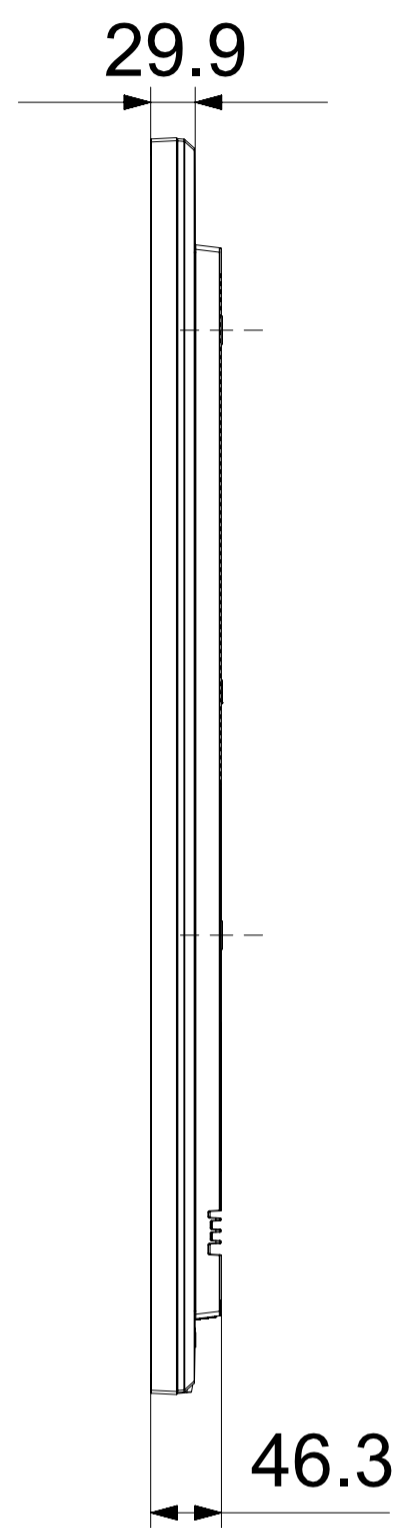
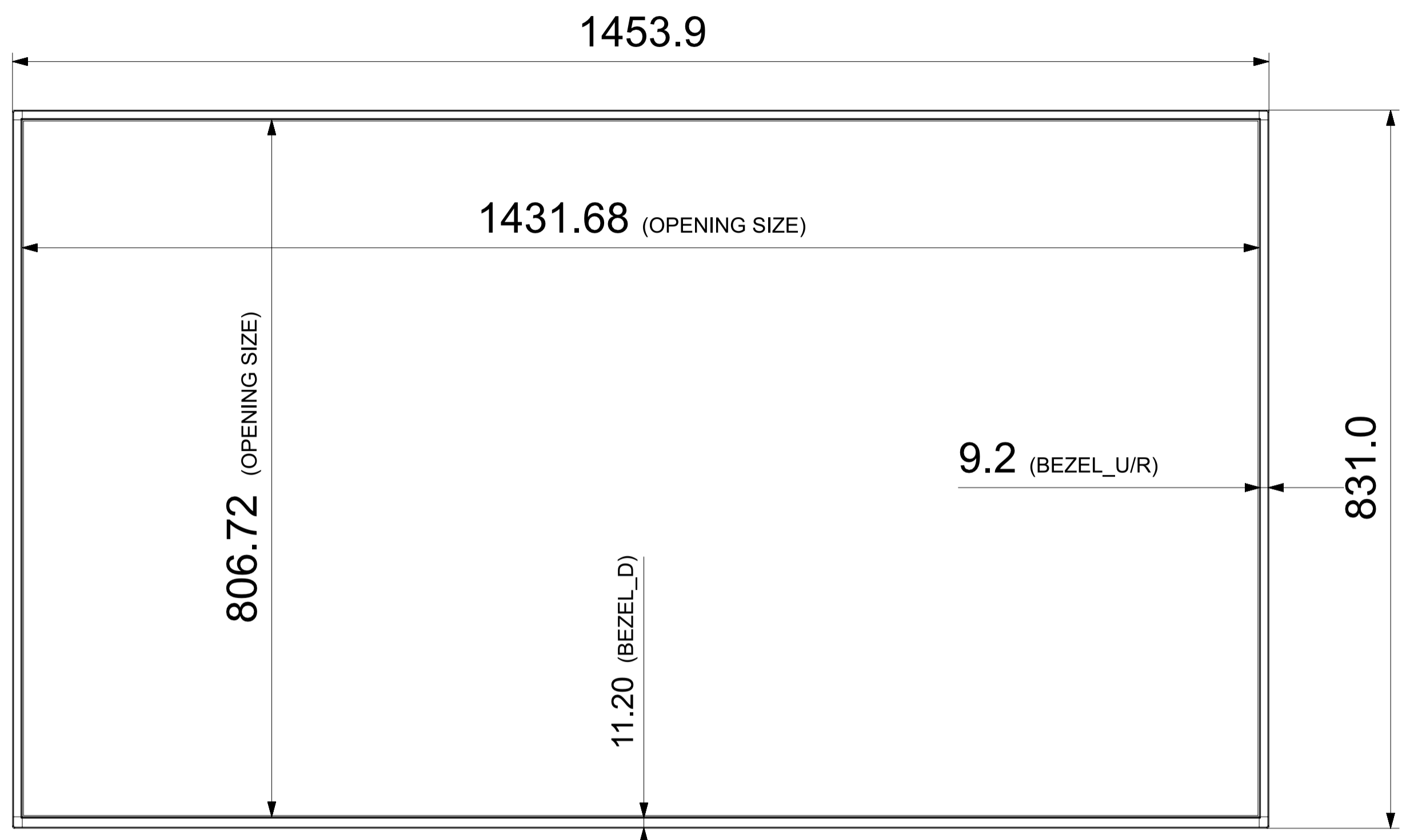


Rev.No	ED	CODE	RECORD	REMARK

QMR/QBR 65" SET DIMENSION



PART NAME	ASSY SET_Y19 QMR 65	SPECIFICATION	PROJECTION
UNIT	MM	DRAWING BY REVIEWED BY APPROVED BY	1st Angle
TOLERANCE			
SCALE			SHEET NO /
SAMSUNG ELECTRONICS		CODE No.	DWG. Rev